

# Power Conversion Technologies

General Atomics Electromagnetic Systems (GA-EMS) specializes in advancing innovations in direct drive permanent magnet motors and modular adjustable speed drives. Our motors connect directly to turbines and compressors, eliminating the need for gearboxes.

- Higher efficiency
- Lower lifecycle costs
- Reduced energy costs
- Significantly reduced footprint
- Reduced CO<sub>2</sub> emissions

## APPLICATIONS

Turbine Generators

Compressors

Power and Propulsion

Pumps

## INDUSTRIES

Oil and Gas

Renewables

Chemical

Water and Wastewater

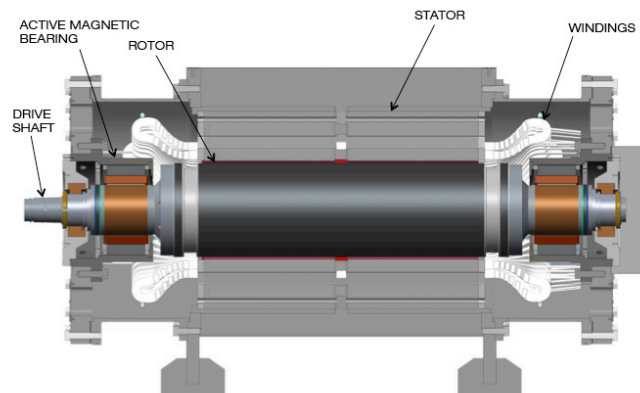
# Power Conversion Technologies

## 8 MW PERMANENT MAGNET MOTORS

- High speed direct coupling eliminates gearbox
- Operational flexibility over extended speed range
- Multiple bearing options

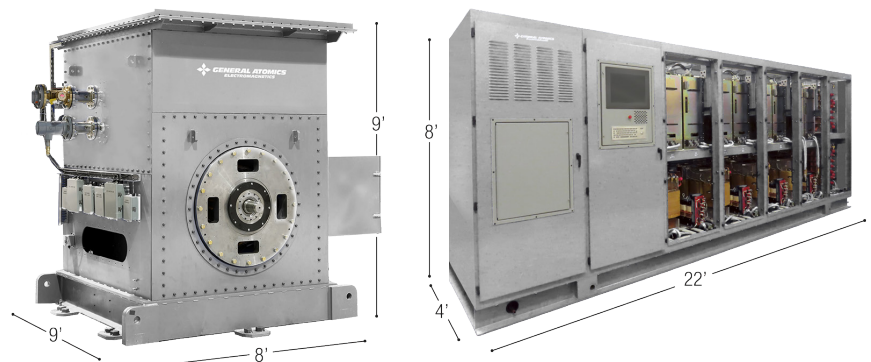
## 8 MW MAGNETIC BEARING

- 2-3x volume reduction in containment structure
  - » Smaller magnetic gap
  - » Higher power density
  - » Oil-fill bearing option available
- Flexible design to suit different power requirements



## ADJUSTABLE SPEED DRIVES

- Liquid-cooled for efficient thermal management
- High system availability
- Low maintenance
- Versatile modular design
- Designed for easy paralleling of 2 MW modules to meet specific power needs



Significantly Reduced Footprint



### CONTACT INFORMATION

[empowertech.info@ga.com](mailto:empowertech.info@ga.com)



SCAN TO LEARN MORE